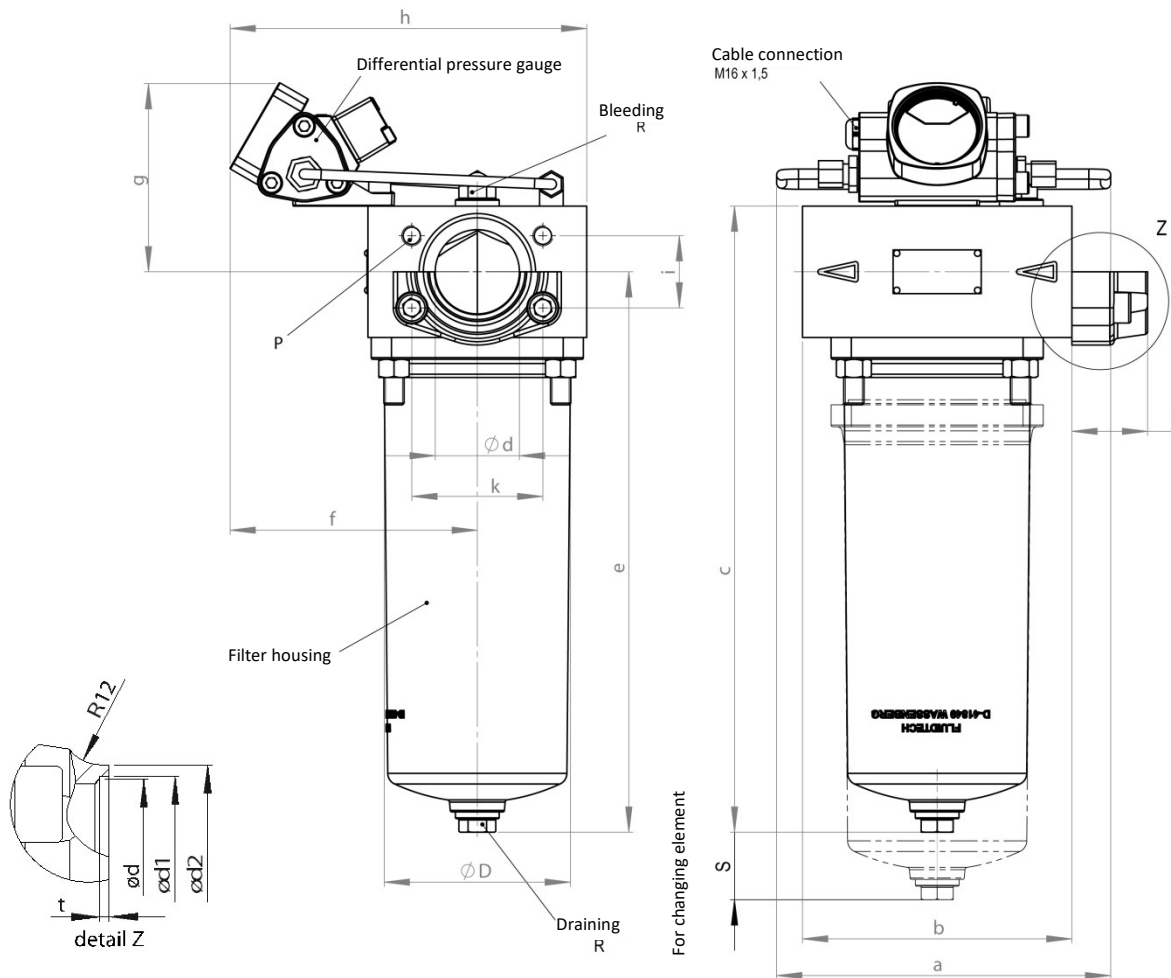


# Type series 4.121

## Technical Data Sheet



### Dimensions



fluidtech® Single Filters

### Connections and flange connection sizes

DN	ød	k	l	d	f	d1	d2	t	Remark
20	G 3/4	-	-	G3/4	-	-	-	-	Female thread in housing
32	G 1 1/4	-	-	G1 1/4	-	-	-	-	Female thread in housing
50	-	77.9	42,8	G2	36	61	74	3	Universal flange for screwing or welding
80	-	106.4	62	-	41	81	89	-	Weld-on flange

### Filter dimensions

DN	Overall length key	a	b	c	e	f	g	h	øD	R	S≈ [standing]	S≈ [hanging]	P	Weight excl. filter elements/differential pressure gauge [kg]
20	L1	175	90	125	104	126	93	180	65	G 1/4	69	30	-	2
32	L2	165	115	260	232	136	101	200	86	G 3/8	169	40	-	6
50	L2	200	160	370	333	147	112	220	110	G 1/2	250	40	M12 x 16	7
80	L2	200	180	495	447	170	128	260	158	G 3/4	329	70	M16 x 18	15

Dimensions in mm

### Description

The filter serves to separate foreign particles from the specific medium (e.g. lubricants).



# Type series 4.121

## Technical Data Sheet



### Design data

The filter unit has been designed, built and tested in accordance with the European Pressure Equipment Directive 97/23/EC and the German Equipment Safety Act.

DN	Overall length key	Smallest flow cross-section [mm]	Total volume [dm <sup>3</sup> ]
20	L1	ø 21	0.25
32	L2	ø 32	0.90
50	L2	ø 42	2.30
80	L2	ø 70	6.50

Alternative overall lengths, with different sieve lengths, on request.

Operating pressure: 16 bar max.

Operating temperature: 120°C max.

Flow rate data may be requested from the manufacturer, furnishing operating data.

The materials used must not be affected by the environment or the medium!

### Materials

Housing: AlMg4.5Mn (alternatively St or VA)

Filter housing: GK-AlSi12 (Cu) (alternatively St or VA)

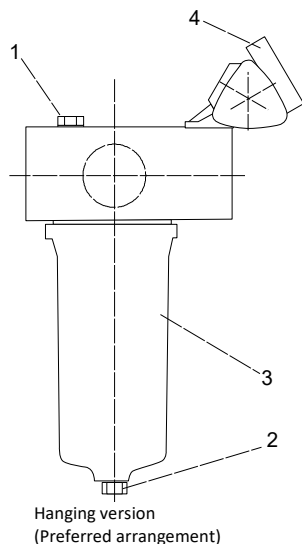
Filter element: see separately available data sheet (filter elements\_4.121\_221\_225--TDB)

Differential pressure gauge: see separately available data sheet (5.02-TDB)

Seals: NBR (alternatively FPM)

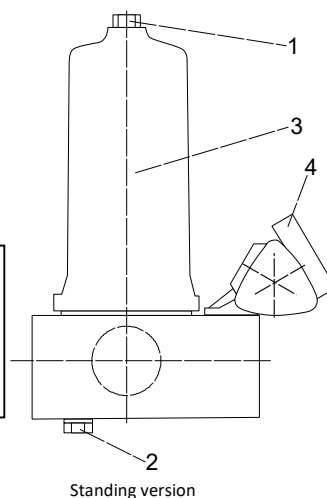
Special materials on request

### Mounting the differential pressure gauge

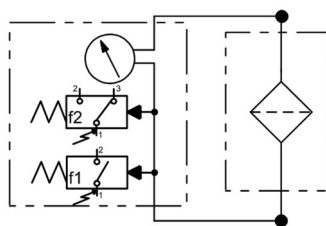


**Legend:**

- 1: Bleed screw
- 2: Drain plug
- 3: Filter housing
- 4: Differential pressure gauge



### Schematic



# Type series 4.121

## Technical Data Sheet



### Product type key (order example)

The product type key is shown on the nameplate.

EF	5	06	L	V	H	/	L	5.02-	2,0
4.121	0	0	2						

deltaP® Differential pressure gauge	
5.02-2,0	The filters are fitted standard with a deltaP® differential pressure gauge Type 5.02 (see separate data sheet for the designation). Other deltaP® types on request – please request our brochure.

Through-flow direction	
L	left to right (standard)
R	right to left

Installation arrangement	
H	hanging type (standard)
S	standing type

Sealing material	
P	NBR (standard)
V	FPM
other materials on request	

Overall length key	
L1	Standard overall length only DN20 (cast Al filter housing)
L2	Standard overall length (cast Al filter housings)
other overall lengths on request (welded filter housings)	

Filter fineness/medium	
005	optimesh® wire mesh 5 µm model, 10 µm absolute
010	optimesh® wire mesh 10 µm model, 25 µm absolute
015	optimesh® wire mesh 15 µm model, 34 µm absolute
020	optimesh® wire mesh 20 µm model, 40 µm absolute
025	optimesh® wire mesh 25 µm model, 60 µm absolute
040	optimesh® wire mesh 40 µm model, 80 µm absolute
060	optimesh® wire mesh 60 µm model, 100 µm absolute
080	precimesh® wire mesh 80 µm model, 150 µm absolute
100	precimesh® wire mesh 100 µm model, 200 µm absolute
120	precimesh® wire mesh 120 µm model, 250 µm absolute
150	precimesh® wire mesh 150 µm model, 300 µm absolute
xxx	Paper, fibre glass paper

Nominal connection size/overall size DN [mm]	
20 / 32 / 50 / 80	

Type series	
EF 4.121	fluidtech® single filter Type 4.121

fluidtech® Single Filters

This data sheet may not be used or disclosed to third parties for competitive purposes or for own use (UWG § 5, 17-21). All rights reserved in case of granting or registration of a patent or utility patent (U 12 PatG). We reserve the right to change technical data without notice. Technical changes reserved. All copyright vested in FRIEDRICHS FILTERSYSTEME GMBH.

