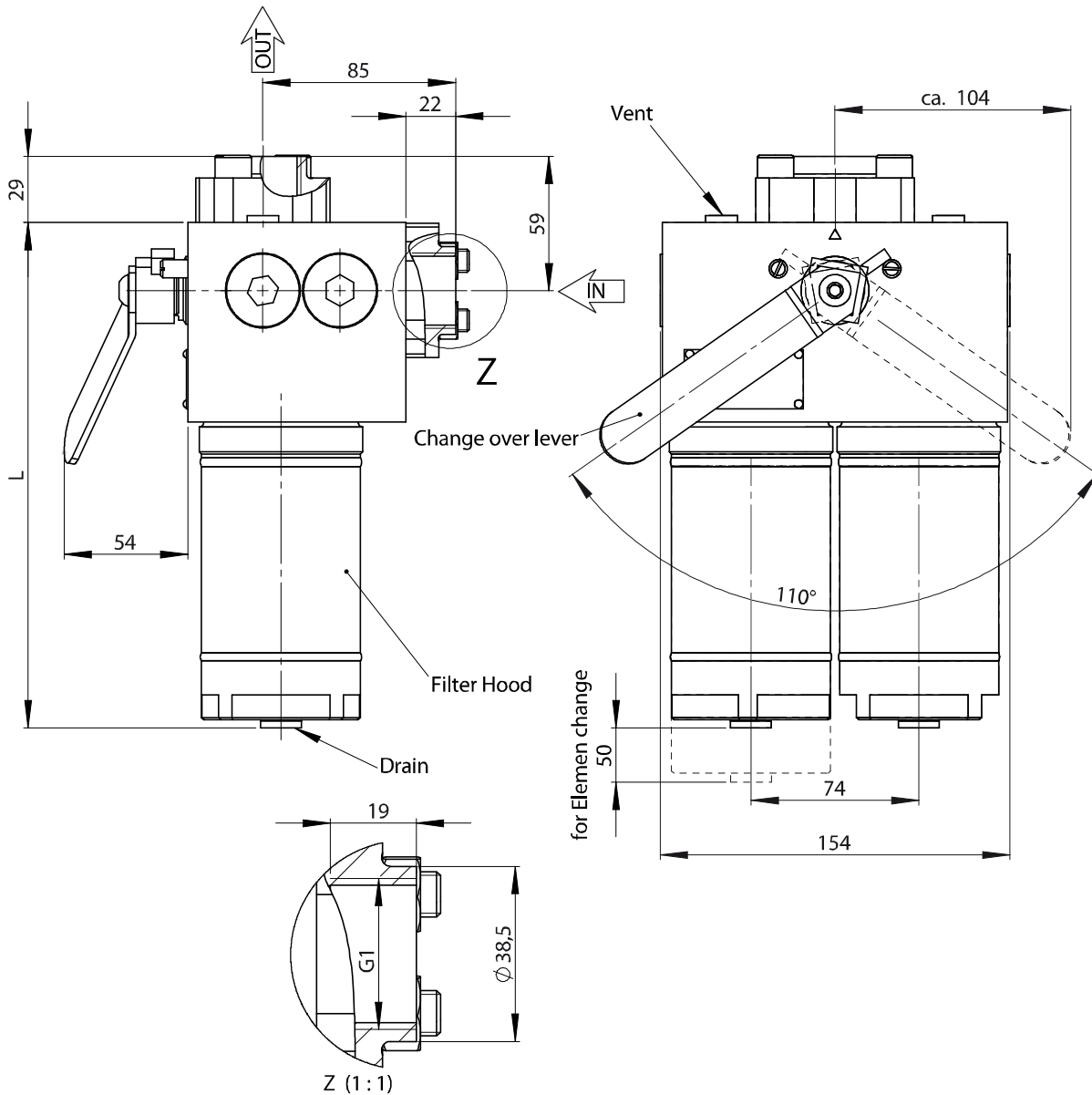


Series 4.212

Technical Data Sheet



Dimensions



Dimensions in mm

Lenght key	L [mm]
L2	223
L3	290

Description

The filter is used to separate particles from fluids and is designed for continuous filtration.

Normally one filter chamber is operating while the other one stands full of liquid and has a clean filter element in reserve. If the operating filter element is very soiled, you can manually switch to the reserve filter element. An overlapping changeover between the two filter chambers ensures a continuous media flow.

After the changeover the soiled filter element must be removed, cleaned or replaced and re-inserted so that a reserve chamber is available for the next changeover process.

Series 4.212

Technical Data Sheet



Design Data

The filter unit is designed, built and tested in compliance with the European Pressure Equipment Directive 97/23/EC and the German Equipment Safety Law.

Operating pressure: max. 16 bar (40 bar on request)

Operating temperature: max. 120°C

Environment and medium must not have a negative influence on the materials used!

Materials

Housing: CrNi-Steel

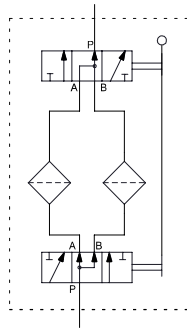
Filter hood: CrNi-Steel

Filter element: see data sheet available separately ("Filterelemente_TypeA--TDB")

Seals: FKM (alternatively NBR)

Special materials on request

Schematic diagram



Type code (order example)

The type code can be found on the type plate.

DF 4.212 - 25 . 060 . L2 - V

Sealing material	
V	FKM (standard)
P	NBR
Other materials on request	
length code	
L2	standard length
L3	50% increased filtration area (compared to L2)
Other installation lengths on request	
Filter mesh/medium	
005	Optimesh® wire mesh 5µm nominal, 10µm absolute
010	Optimesh® wire mesh 10µm nominal, 25µm absolute
015	Optimesh® wire mesh 15µm nominal, 34µm absolute
020	Optimesh® wire mesh 20µm nominal, 40µm absolute
025	Optimesh® wire mesh 25µm nominal, 60µm absolute
040	Optimesh® wire mesh 40µm nominal, 80µm absolute
060	Optimesh® wire mesh 60µm nominal, 100µm absolute
080	Precimesh® wire mesh 80µm nominal, 150µm absolute
100	Precimesh® wire mesh 100µm nominal, 200µm absolute
120	Precimesh® wire mesh 120µm nominal, 250µm absolute
150	Precimesh® wire mesh 150µm nominal, 300µm absolute
xxx	Paper, glass fibre paper
Connection nominal diameter / installation size DN [mm]	
25	
Series	
DF 4.212	fluidtech® double changeover filter type 4.212

fluidtech® Double Changeover Filter

