



DP 5.07

DELTAP® DIFFERENTIAL PRESSURE INDICATOR

DESCRIPTION

Differential pressure switches serve to monitor a variable pressure difference. They can be used with fuels, lubricating oils, hydraulic oils, emulsions and water, for example.

WORKING PRINZIPLE

A hermetically sealed piston moves with increasing pressure difference against the effect of a calibrated measuring element. The piston position corresponding to the respective differential pressure generates electrical signals at up to two switching points.

MATERIALS (STANDARD DESIGN)

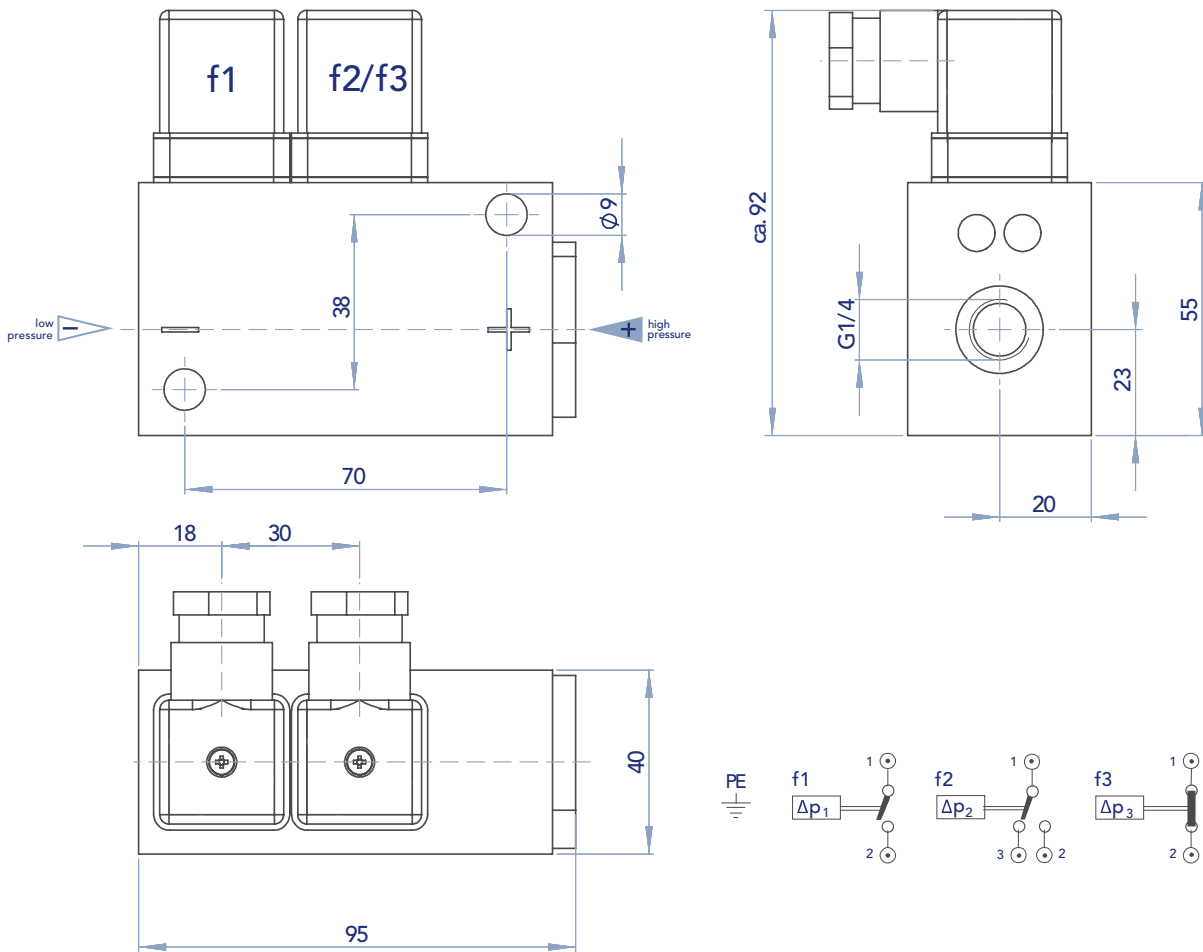
Housing: Al
Pistons: Ms 58 (exposed to medium)
Measuring element: 1.4310 (CrNi Steel) (exposed to medium)
Seal: (roll membrane): NBR
Connector: PA (polyamide)



DP 5.07

DELTAP® DIFFERENTIAL PRESSURE INDICATOR

DIMENSIONS



DP 5.07

DELTAP® DIFFERENTIAL PRESSURE INDICATOR

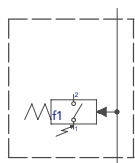
TECHNICAL DATA

Perm. operating overpressure:	100 bar
Perm. operating temperature:	Medium, housing, connector: max. 120°C
Measuring range:	beginning at 0 to $\Delta p_{\max} = 0.3 - 0.5 - 0.6 - 0.7 - 0.8 - 1.0 - 1.2 - 1.3 - 1.5 - 1.6 - 2.0 - 2.5 - 3.0 - 3.5 - 4.2 - 5.0$ bar Optionally: beginning at 0.8 to $\Delta p_{\max} = 2.2$ bar
Installation position:	any
Electrical signalling:	Can be equipped with 1 or 2 contacts Type f1: NO contact (standard switchpoint at $0.75 \times \Delta p$) Type f2: Changeover contact (standard switchpoint at $1.0 \times \Delta p$) Type f3: NC contact (standard switchpoint at $1.0 \times \Delta p$) Other switchpoints on request
Switching accuracy:	± 0.05 bar ($\Delta p_{\max} \leq 2.0$ bar); ± 0.08 bar ($\Delta p_{\max} > 2.0$ bar)
Switching capacity:	Contact type f1: 120W / 250 V / 3.0 A / 120 VA Contact type f2/f3: 30W / 250 V / 1.0 A / 60 VA

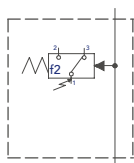
CONNECTIONS

Fixture:	2x through holes $\varnothing 9$ mm, spacing 70x38mm
Fluid connections:	Internal thread G1/4 (both sides), suitable screw joints DIN 2353
Switch contacts (standard):	Connector DIN 43650; contacts: 3+PE; protection class: IP65 Lead cross section 0,34...1,5mm ² , cable aperture 6...8mm

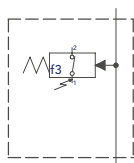
SCHEMATIC DIAGRAM



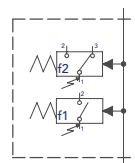
with electrical contact f1



with electrical contact f2



with electrical contact f3



with two electrical contacts

DP 5.07

DELTAP® DIFFERENTIAL PRESSURE INDICATOR

ORDERING AND OPTION CHART

Type code (ordering example). The type code can be found on the type plate.

DP 5.07	2,0	T	f1.1.4	f2.2,0	V	SW	VA	0
								Option: special piston design standard: rolling diaphragm O for O-Ring sealing P for Kotef sealing (PTFE Ring)
								Option: special piston material (standard: Ms 58) VA 1.4435/39 (CrNi Steel)
								Option: special housing material (standard Al) MS Brass (Ms58) SW 1.4435/39 (CrNi Steel)
								Option: special seal material (standard NBR) V FPM (fluorine-polymere-rubber) E EPDM (ethylene-propylene rubber)
								Changeover or N/C contact (f2 or f3) F2.X,X Switchpoint in bar (standard: 100% Δp_{max}) F3.X,X Switchpoint in bar (standard: 100% Δp_{max}) Other switchpoints on request
								N/O contact (f1) f1.X,X Switchpoint in bar (standard: 75% Δp_{max}) Other switchpoints on request
								Option: Measuring element coated .T PTFE-coated Measuring element
								Measuring range X.X Δp_{max} . see page 1
								Series DP 5.07 deltaP® differential pressure indicator Typ 5.07